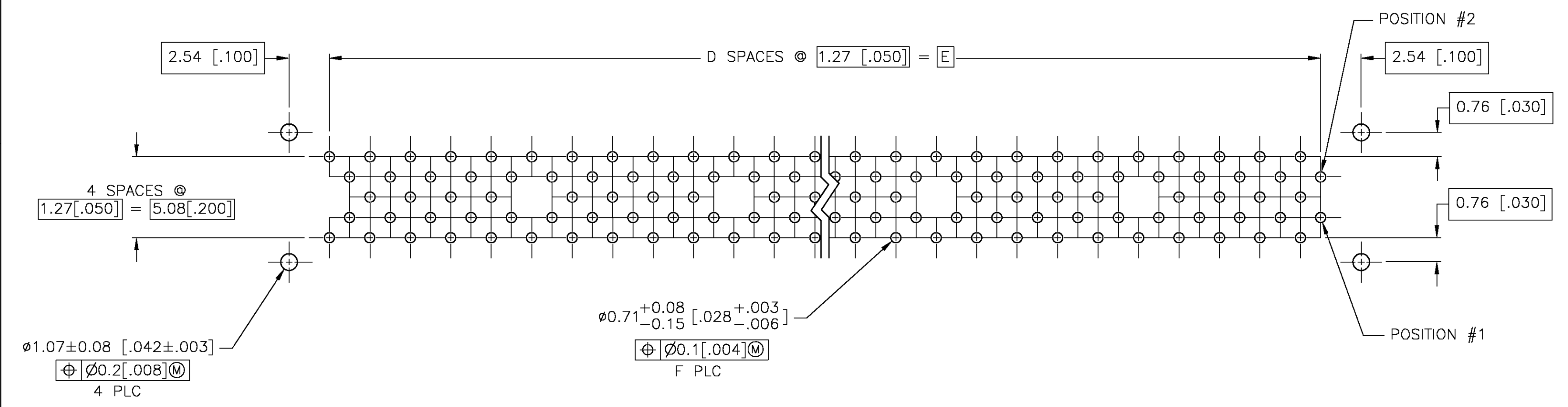
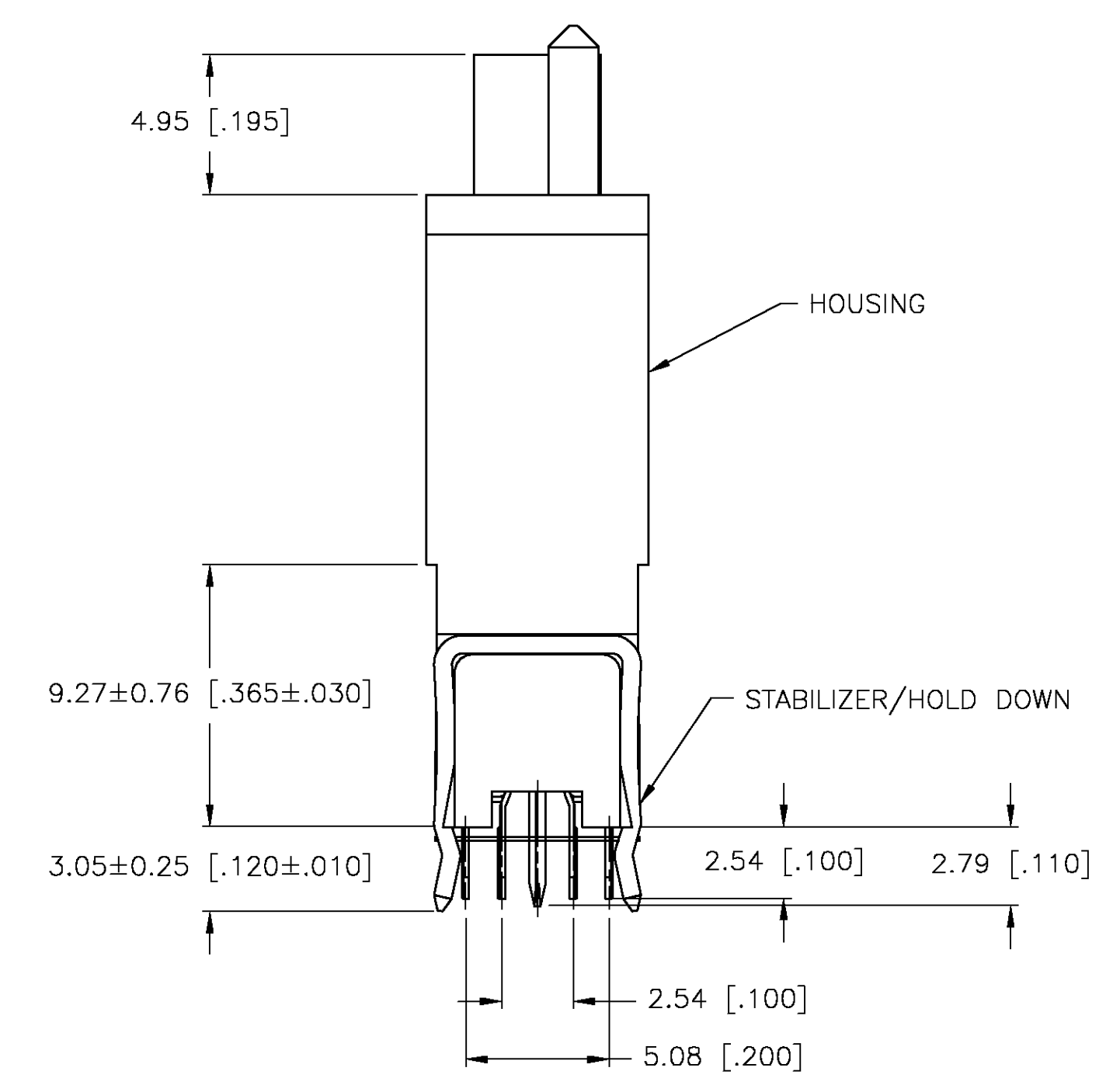
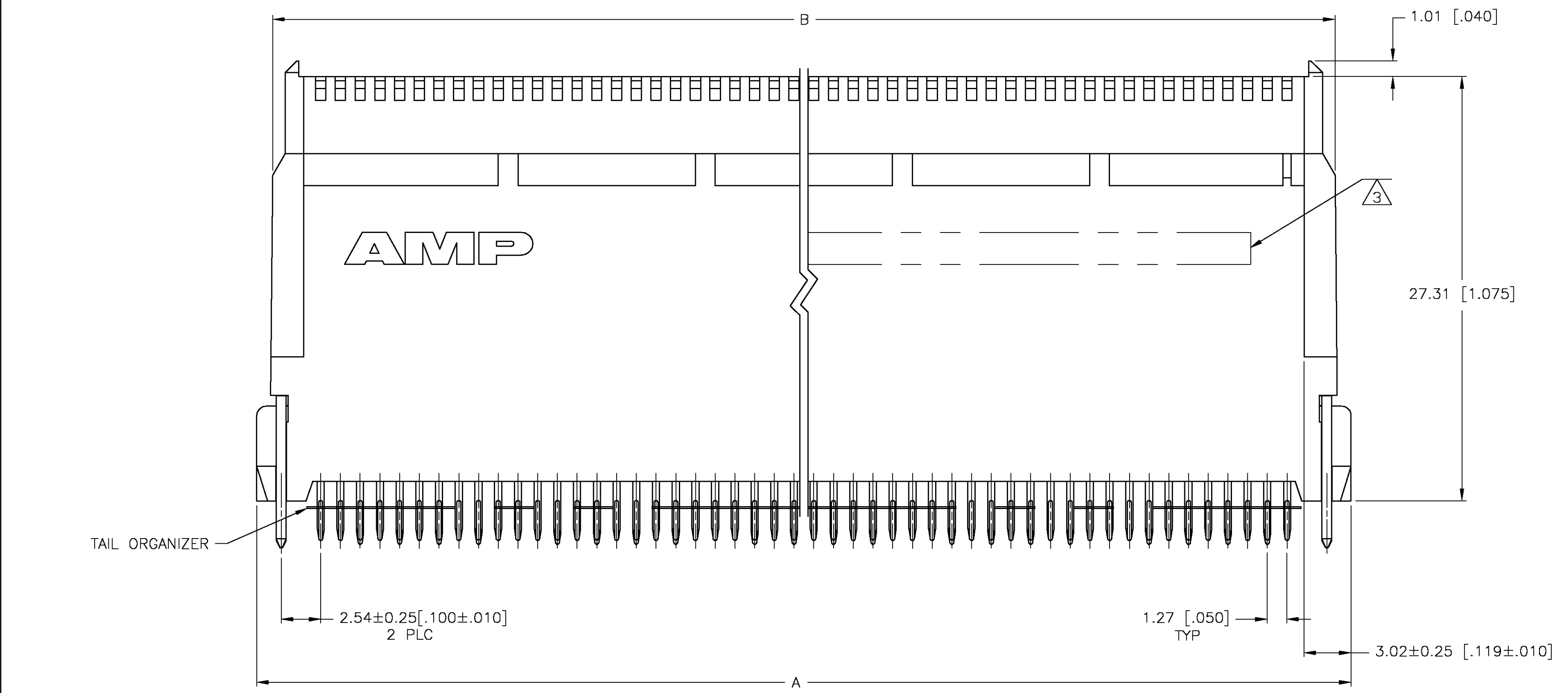


- 1 HOUSING: HIGH TEMPERATURE THERMOPLASTIC, COLOR: NATURAL  
 RECEPTACLE CONTACTS: PHOSPHOR BRONZE  
 GROUND BUSES: BERYLLIUM COPPER  
 STABILIZER: PHOSPHOR BRONZE  
 TAIL ORGANIZER: POLYESTER FILM TAPE
- 2 RECEPTACLE CONTACTS: 0.00076[.000030] MIN GOLD IN CONTACT AREA, 0.00254-0.00762[.000100-.000300] TIN-LEAD ON SOLDER TAILS, ALL OVER 0.00127-0.00254[.000050-.000100] NICKEL ON CONTACT  
 GROUND BUSES: 0.00076[.000030] MIN GOLD IN CONTACT AREA, 0.00254-0.00762[.000100-.000300] TIN-LEAD ON SOLDER TAILS, ALL OVER 0.00127-0.00254[.000050-.000100] NICKEL ON ENTIRE BUS  
 STABILIZER: 0.00254-0.00635[.000100-.000250] TIN-LEAD OVER 0.00127-0.00254[.000050-.000100] NICKEL.
- 3 AMP PART NUMBER AND DATE CODE MARKED IN AREA INDICATED.
- 4 PRELIMINARY - NOT RELEASED FOR PRODUCTION.



144	74.93[2.950]	59	121496-5
120	62.23[2.490]	49	121496-4
F	E	D	PART NUMBER

78.14[3.037]	81.13[3.194]	83.18[3.275]	120	121496-5
64.44[2.537]	68.43[2.694]	70.48[2.775]	100	121496-4
C	B	A	NO OF POS	PART NUMBER

RECOMMENDED PC BOARD HOLE LAYOUT  
 1.57[.062] THICK PCB  
 (VIEWED FROM CONNECTOR SIDE)

THIS DRAWING IS A CONTROLLED DOCUMENT.		DWN: J.GERACE 2-5-98	Tyco Electronics Corporation Harrisburg, PA 17105-3608
DIMENSIONS: mm [INCHES]		CHK: N.DRASHER 2-5-98	
TOLERANCES UNLESS OTHERWISE SPECIFIED:		APVD: A.MONK 2-5-98	NAME: RECEPTACLE ASSEMBLY, HI-CONN, 3.18[.125] TAIL, MICRO-STRIP PRODUCT SPEC: 108-1272 APPLICATION SPEC: 114-11005
0 PLC ± - 1 PLC ± - 2 PLC ± 0.13[.006] 3 PLC ± - 4 PLC ± - ANGLES ± -		SIZE: A1	
MATERIAL: 1		FINISH: 2	CUSTOMER DRAWING SCALE: 5:1 SHEET: 1 OF 1 REV: J